

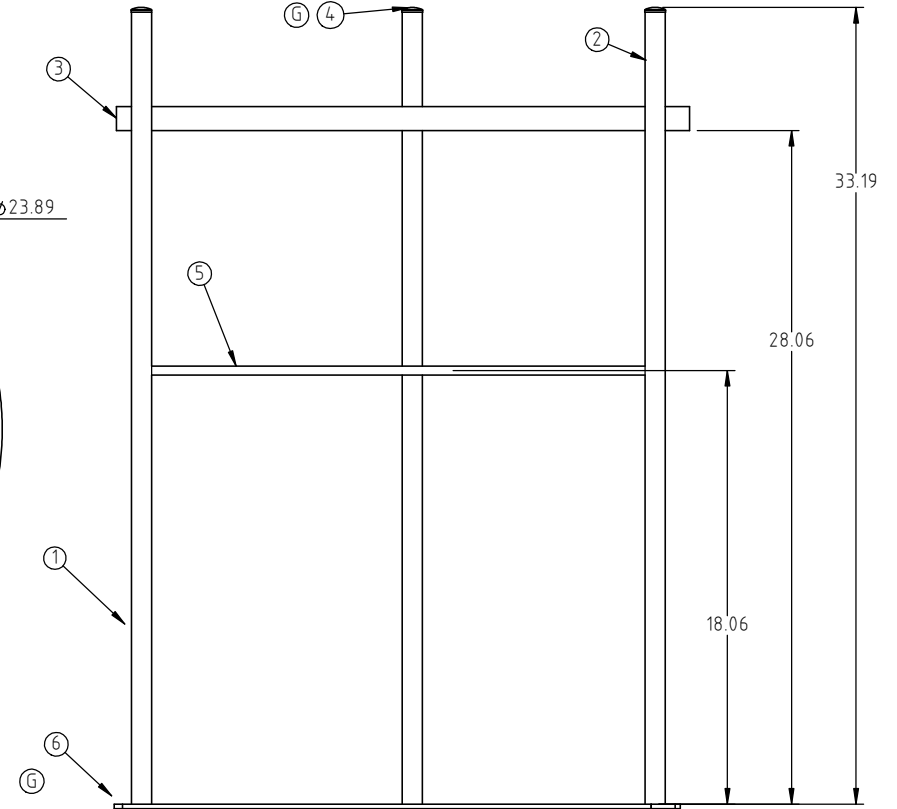
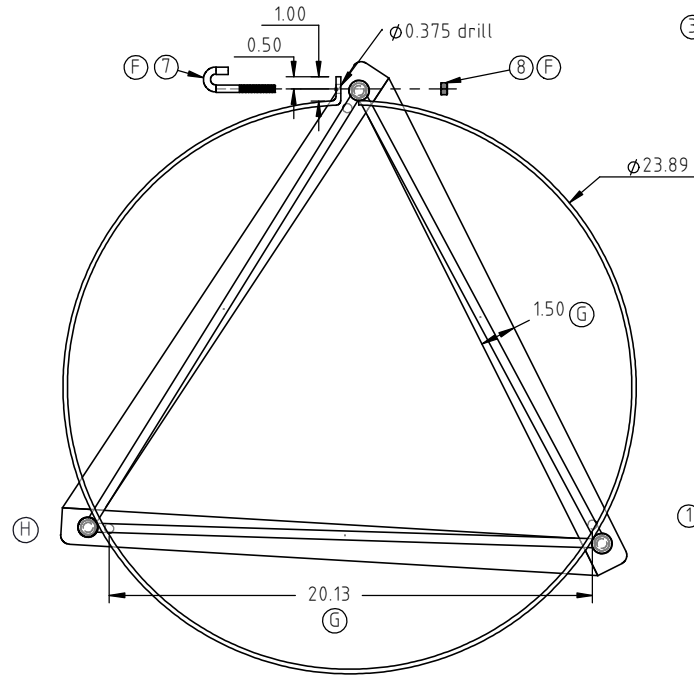
© DEN HARTOG INDUSTRIES, INC.

Copyright. All information furnished within this document, electronic file or design correspondence is the property of Den Hartog Industries, Inc. and shall not be used, disclosed to others or copied without the expressed written consent of Den Hartog Industries, Inc.

KEY	PART NUMBER	DESCRIPTION	QTY.	(H)
1	IN30-55-ST-1	LEG PIPE	2	
2	IN30-55-ST-2	LEG PIPE W/ HOLE	1	
3	IN30-55-ST-3	RING	1	
4	12582	1/2" PIPE PLUG	3	(E)(G)
5	IN30-55-ST-5	SIDE ROD	3	
6	12081	BASE STRAP	3	(G)
7	J.313X3.00	J-BOLT, 5/16" X 3"	1	(F)
8	10280	NUT, 5/16" NYLOK ZINC	1	(F)

① IN30/55-ST

I



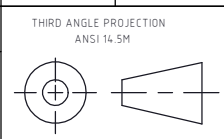
I	55 WAS 60. DRAWING TEMPLATE UPDATED	ADH 12/13/13	2755
H	BASE STRAP ORIENTATION CORRECTED, DRAWING TEMPLATE/ COMPONENTS TABLE UPDATED	ADH 10/31/11	2300
G	DIMENSIONS, BASE STRAPS AND LEG PLUGS UPDATED	ADH 10/10/08	1729
F	PARTS 7,8 AND FINISH NOTE ADDED WEIGHT UPDATED	ADH 3/21/08	1626
E	CORRECTED PART NUMBER	ADH 10/31/07	1506
D	TOLERANCE WAS 1% @ 68°F	GWC 3/15/07	
C	ADD TANK CLEARANCE	2/5/07	
B	CHANGE BASE THICKNESS		
A	GENERAL PRINT UPDATE		
REV	DESCRIPTION	BY / DATE	CCN

DRAWN / DATE	MATERIAL
ADH 7/17/07	
APPRD. / DATE	
REH 10/5/07	

ALL DIMENSIONS ARE IN DECIMAL INCHES
TOLERANCES UNLESS OTHERWISE SPECIFIED

POLYETHYLENE
±1% @ 68°F

METAL
DECIMAL ± .125"
FRACTION ± 1/4"
ANGLE ± 1°



SHOT WEIGHT:

SHIPPING WEIGHT:
(F) 17.50 LBS

FINISH: POWDER COATING, BLACK
(F) TILE, 40012

NOTES:



Den Hartog
INDUSTRIES, INC.

Ace Roto-Mold Injection Molding Blow Molding Sowjoy

4010 HOSPERS DRIVE S. BOX 425, HOSPERS, IOWA 51238-0421

DESCRIPTION	INDUCTOR STAND FOR 30/55 GALLON TANKS	
SCALE	N.S.	PART NO. IN30/55-ST