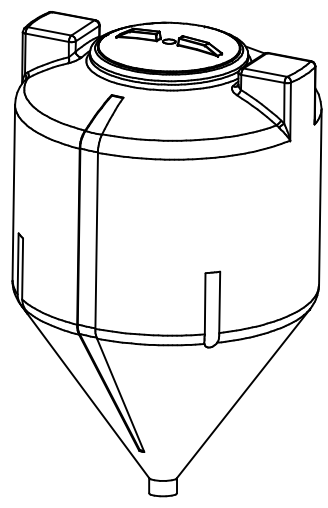
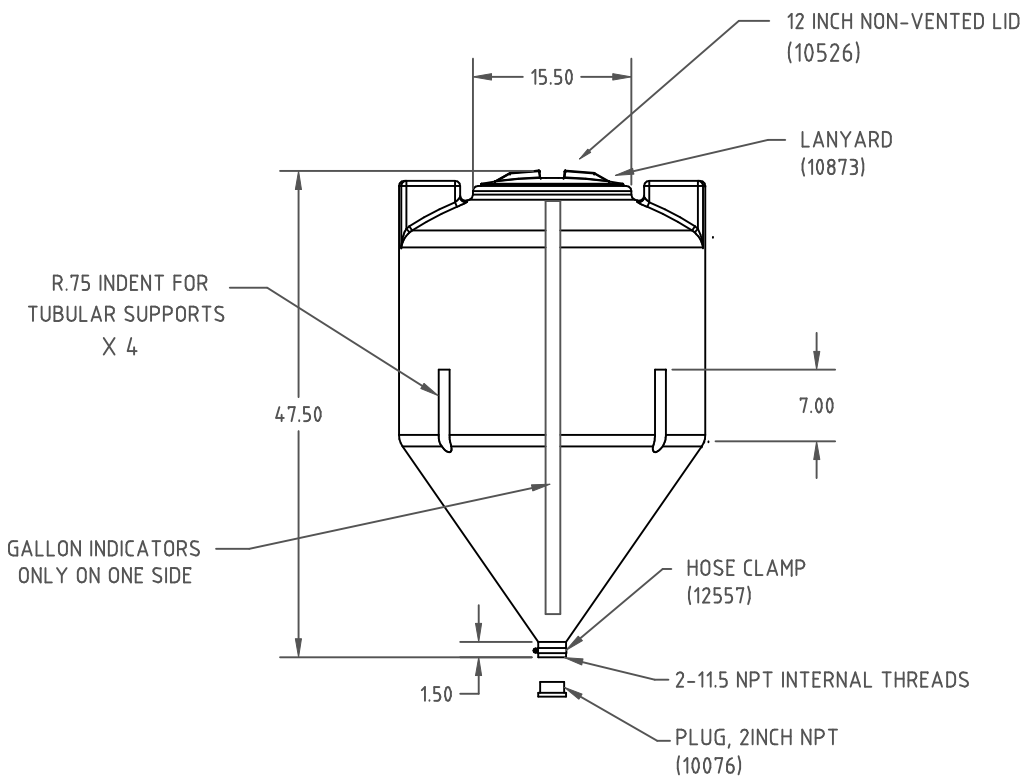
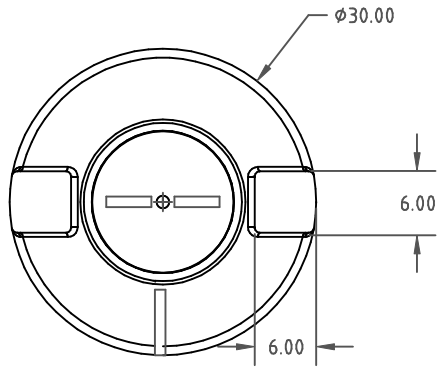


Copyright. All information furnished within this document, electronic file or design correspondence is the property of Den Hartog Industries, Inc. and shall not be used, disclosed to others or copied without the expressed written consent of Den Hartog Industries, Inc.



DRAWN / DATE DHJ 10/26/09		MATERIAL MEDIUM DENSITY POLYETHYLENE	
APPRD. / DATE REH 11/2/09		NOTES: 1.NATURAL COLOR 2.NOM. WALL .23	
REV	DESCRIPTION	BY / DATE	CCN
ALL DIMENSIONS ARE IN DECIMAL INCHES TOLERANCES UNLESS OTHERWISE SPECIFIED		THIRD ANGLE PROJECTION ANSI 14.5M	
POLYETHYLENE ±1% @ 68° F		METAL DECIMAL ± .125" FRACTION ± 1/4" ANGLE ± 1°	
SHOT WEIGHT: 35 LBS.		FINISH:	
SHIPPING WEIGHT: 37 LBS.			



Den Hartog
INDUSTRIES, INC.

Ace Roto-Mold Injection Molding Blow Molding SowJoy
4010 HOSPERS DRIVE S. BOX 425, HOSPERS, IOWA 51238-0425

DESCRIPTION 85 GALLON FULL DRAIN INDUCTOR	
SCALE N.S.	PART NO. INFD85-30