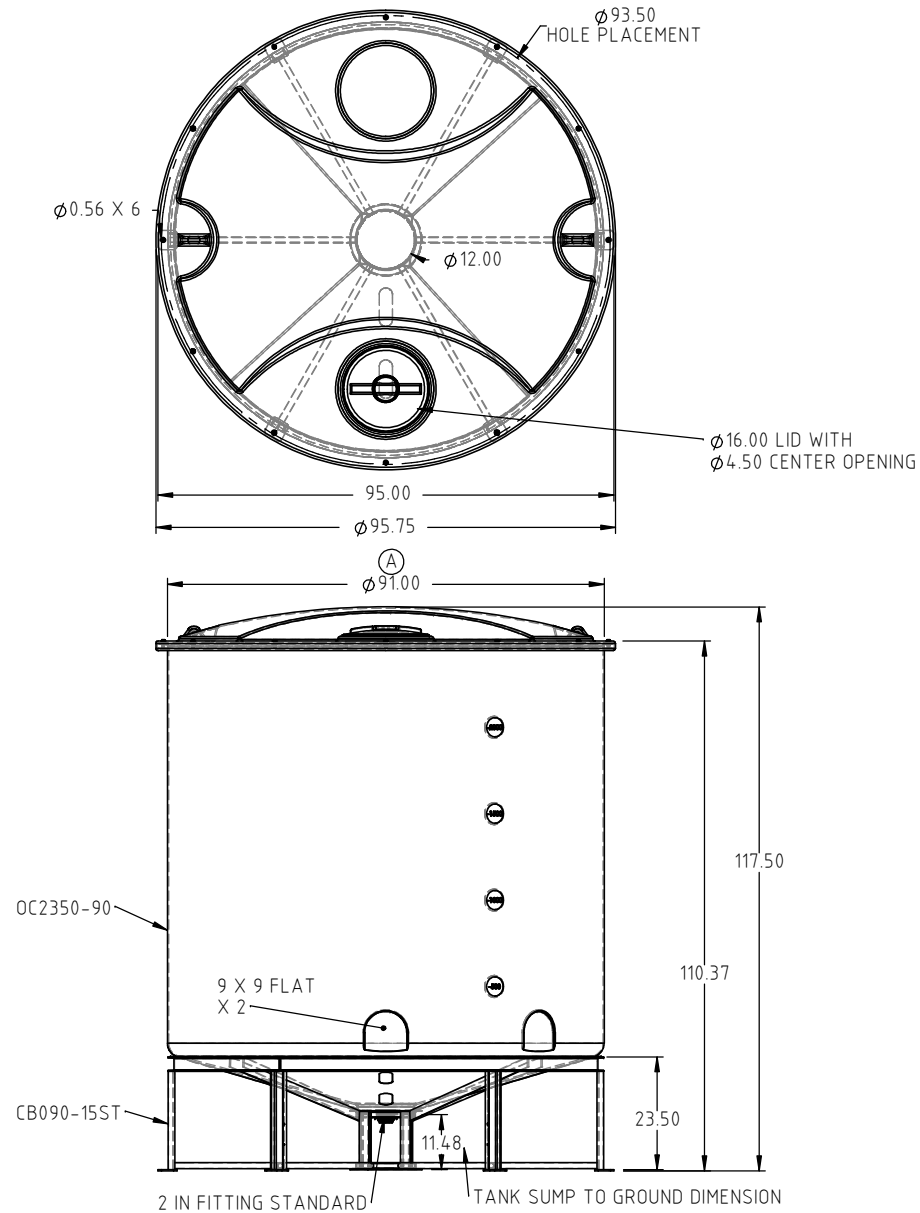


© DEN HARTOG INDUSTRIES, INC.

Copyright. All information furnished within this document, electronic file or design correspondence is the property of Den Hartog industries, Inc. and shall not be used, disclosed to others or copied without the expressed written consent of Den Hartog Industries, Inc.

OC2350-90+CB090-15ST

A



				DRAWN / DATE ADH 4/9/12	MATERIAL SEE TANK AND STAND PRINTS
A	Ø91.00" WAS Ø90.00" ON PRINT.	ADH 5/16/17	3385	APPROD. / DATE REH 7/12/12	
REV	DESCRIPTION	BY / DATE	CCN		
ALL DIMENSIONS ARE IN DECIMAL INCHES TOLERANCES UNLESS OTHERWISE SPECIFIED		THIRD ANGLE PROJECTION ANSI 14.5M		SHOT WEIGHT:	NOTES:
POLYETHYLENE	METAL DECIMAL ± .125" FRACTION ± 1/4" ANGLE ± 1°			SHIPPING WEIGHT: SEE TANK AND STAND PRINTS	
±1% @ 68°F				FINISH:	



Den Hartog
INDUSTRIES, INC.

Acra Roto-Mold Injection Molding Blow Molding Blow-Joy

4010 HOSPERS DRIVE S. BOX 425, HOSPERS, IOWA 51238-0425

DESCRIPTION 2350 GALLON, 15°, OPEN TOP CONE BOTTOM TANK AND STAND	
SCALE N.S.	PART NO. OC2350-90+CB090-15ST