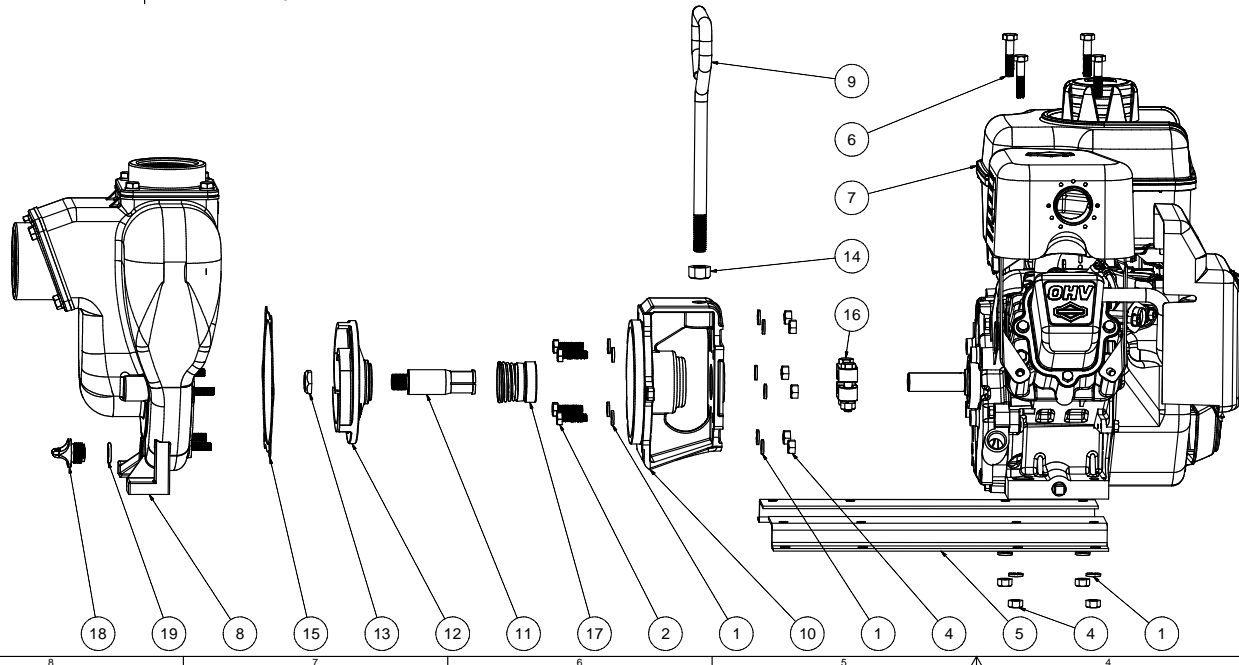


			Parts List	
ITEM	QTY	PART NUMBER	DESCRIPTION	
1	14	V10118	5/16" LOCKWASHER	
2	4	17040	5/16-24 X 1" HHCS	
3	1	12910	DECAL (N/S)	
4	10	V10119	5/16" HEX NUT	
5	1	17033	Z-RAIL (PAIR)	
6	4	17034	5/16-18 X 1-1/2" HHCS	
7	1	E6.5PRO	6.5 HP B&S ENGINE	
8	1	17126	2" PUMP HOUSING ASSY	
9	1	15022	2" PUMP HANDLE	
10	1	17004	GAS ENGINE ADAPTER	
11	1	17006	ADAPTER SHAFT	
12	1	17008	PUMP IMPELLER	
13	1	17009B	5/8-18 IMPELLER NUT	
14	1	17010	1/2-13 HEX NUT	
15	1	17018	PUMP ADAPTER GASKET	
16	1	17123	CI PUMP KEYED CLAMP	
17	1	17135	MECH. SEAL ASSY.	
18	1	12777	1/2" DRAIN PLUG	
19	1	UV15163	2-114 O'RING	



THIS DRAWING AND ALL INFORMATION CONTAINED THEREON ARE THE EXCLUSIVE PROPERTY OF BANJO CORPORATION.

UNLESS SPECIFICALLY NOTED, THIS DRAWING AND ITEMS SHOWN ON THIS DRAWING ARE SUBJECT TO CHANGE AT ANY TIME.



**BANJO CORPORATION**  
 150 BANJO DRIVE, CRAWFORDSVILLE, IN 47933  
 WEB SITE: WWW.BANJOCORP.COM  
 E-MAIL: SALES1@BANJOCORP.COM

DESCRIPTION	2" CI PUMP W/ 6.5 HP B&S
PART NUMBER	200PI6PRO