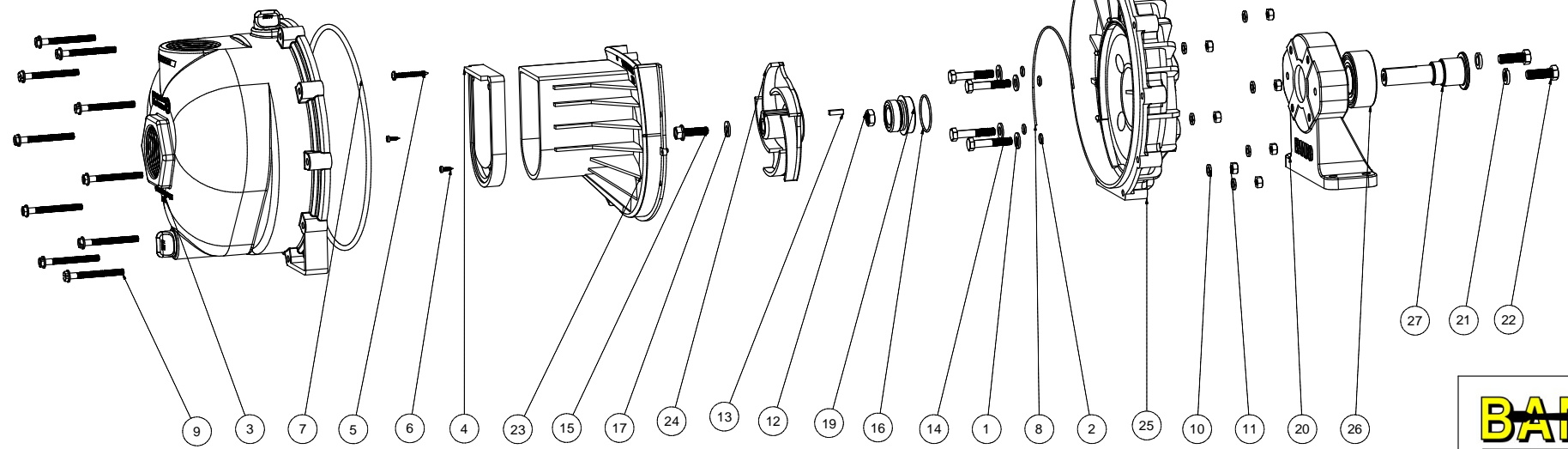


Parts List			
ITEM	QTY	PART NUMBER	DESCRIPTION
1	4	12901	5/16" FLAT WASHER
2	4	12717	#11 O'RING
3	1	12712A	2" PUMP BODY ASSY
4	1	12705	CHECKVALVE
5	1	12900	#10 X 1 1/2" PPH SMS
6	2	12725	#6 X 1/2" PPH SMS
7	1	12719A	#375 O'RING
8	1	12754	O'RING SEGMENT
9	10	12720	1/4-20 X 2 1/2" SL IND HWHS
10	10	V07018	1/4" LOCKWASHER
11	10	V07019	1/4-20 HEX NUT
12	1	12775A	7/16-14 HEX NUT
13	1	12902A	3/16" SQ. X 5/8" KEY
14	4	12715A	5/16-24 X 1 3/4" HHCS
15	1	12765A	5/16-24 X 1 1/8" HFS
16	1	12710	#029 O'RING
17	1	12774VA	IMPELLER BOLT GASKET
18	1	12910	DECAL (N/S)
19	1	12733	MECH. SEAL ASSY.
20	1	12049E	HYD. MOTOR PEDESTAL
21	2	V20018	3/8" LOCKWASHER
22	2	18010SS	3/8-16 X 1 1/8" HHCS
23	1	12702A	2" POLY PUMP VOLUTE
24	1	12772	IMPELLER
25	1	12703A	POLY PUMP REAR BRACKET
26	1	17056E	3206 BEARING
27	1	12055C	HYD. ADAPTER SHAFT



**BANJO CORPORATION**  
 150 BANJO DRIVE, CRAWFORDSVILLE, IN 47933  
 WEB SITE: WWW.BANJOCORP.COM  
 E-MAIL: SALES1@BANJOCORP.COM

THIS DRAWING AND ALL INFORMATION CONTAINED THEREON ARE THE EXCLUSIVE PROPERTY OF BANJO CORPORATION.  
 UNLESS SPECIFICALLY NOTED, THIS DRAWING AND ITEMS SHOWN ON THIS DRAWING ARE SUBJECT TO CHANGE AT ANY TIME.

DESCRIPTION  
**2" POLY PUMP W/O HYD. MOTOR**  
 PART NUMBER  
**200PHAC**