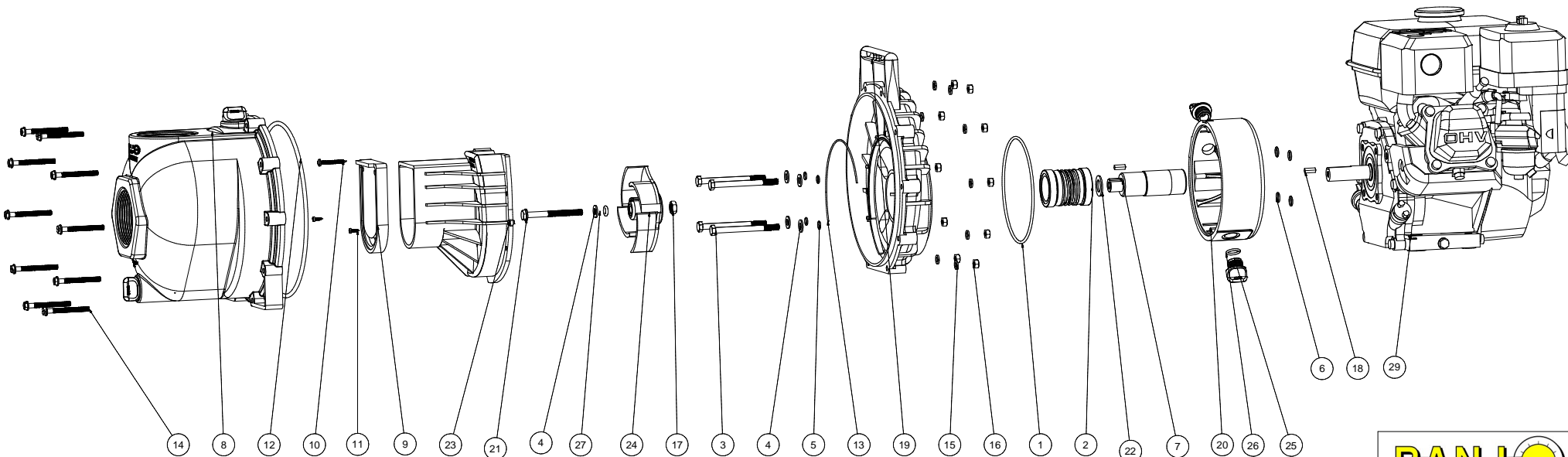


		Parts List	
ITEM	QTY	PART NUMBER	DESCRIPTION
1	1	13719	#256 O'RING
2	1	15035	MECH. SEAL ASSY.
3	4	12034	5/16 - 24 X 3 3/4" HHCS
4	5	12901	5/16" FLAT WASHER
5	4	12717	#11 O'RING
6	4	12709	#13 O-RING
7	1	12155	ADAPTER SHAFT
8	1	13712	3" POLY PUMP BODY ASSY.
9	1	12705	CHECKVALVE
10	1	12900	#10 X 1 1/2" PPH SMS
11	2	12725	#6 X 1/2" PPH SMS
12	1	12719A	#375 O'RING
13	1	12754	O'RING SEGMENT
14	10	12720	1/4-20 X 2 1/2" SL IND HWHS
15	10	V0701B	1/4" LOCKWASHER
16	10	V07019	1/4-20 HEX NUT
17	1	12775A	7/16-14 HEX NUT
18	2	12902A	3/16" SQ. X 5/8" KEY
19	1	12707W	2" W.S. REAR BRACKET
20	1	12202W	2" POLY RESERVOIR
21	1	12766	5/16-24 X 3 1/4" HFS
22	1	OV10175	GASKET
23	1	13702	3" POLY PUMP VOLUTE
24	1	13771	3" POLY PUMP TRIMMED IMPELLER
25	2	12777	1/2" DRAIN PLUG
26	2	UV15163	2-14 O'RING
27	1	A203V	#203 O'RING
28	1	12910	PUMP DECAL (N/S)
29	1	E6H	6.5 HP HONDA



THIS DRAWING AND ALL INFORMATION CONTAINED THEREON ARE THE EXCLUSIVE PROPERTY OF BANJO CORPORATION.

UNLESS SPECIFICALLY NOTED, THIS DRAWING AND ITEMS SHOWN ON THIS DRAWING ARE SUBJECT TO CHANGE AT ANY TIME.

**BANJO CORPORATION**  
 150 BANJO DRIVE, CRAWFORDSVILLE, IN 47933  
 WEB SITE: WWW.BANJOCCORP.COM  
 E-MAIL: SALES1@BANJOCCORP.COM

DESCRIPTION:  
**3" POLY WET SEAL PUMP W/ 6HP HONDA**

PART NUMBER  
**300PH6W**