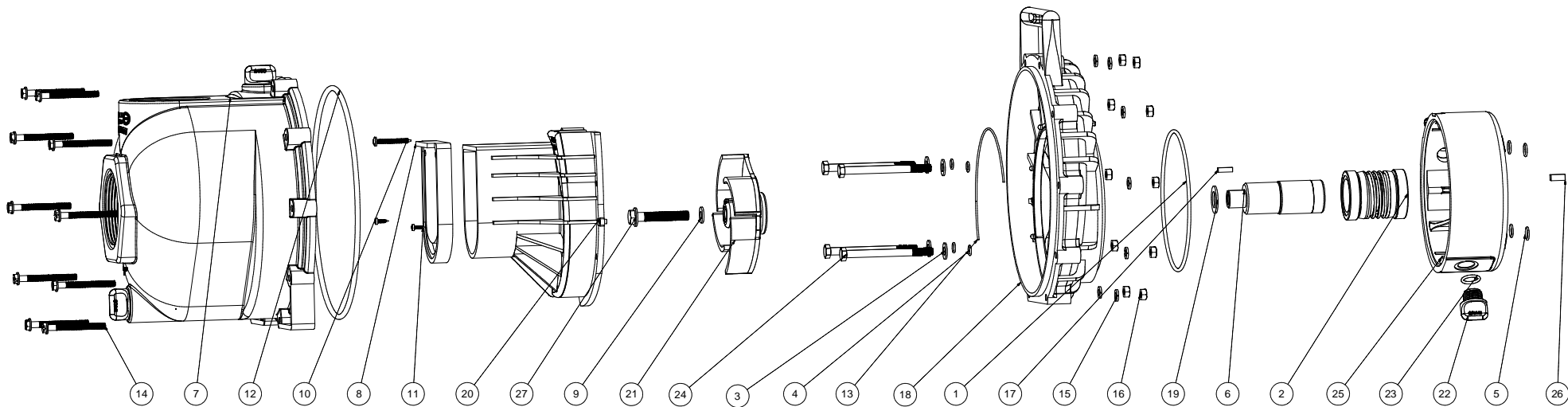


Parts List			
ITEM	QTY	PART NUMBER	DESCRIPTION
1	1	13719	#256 O'RING
2	1	15035E	SEAL ASSY.
3	4	12901	5/16" FLAT WASHER
4	4	12717	#11 O'RING
5	4	12709	#13 O'RING
6	1	13055	ADAPTER SHAFT
7	1	13712	3" POLY PUMP BODY ASSY.
8	1	12705	CHECKVALVE
9	1	12774VA	IMPELLER BOLT GASKET
10	1	12900	#10 X 1 1/2" PPH SMS
11	2	12725	#6 X 1/2" PPH SMS
12	1	12719A	#375 O'RING
13	1	12754	O'RING SEGMENT
14	10	12720	1/4-20 X 2 1/2" SL IND HWHS
15	10	V07018	1/4" LOCKWASHER
16	10	V07019	1/4-20 HEX NUT
17	1	12902A	3/16" SQ. X 5/8" KEY
18	1	12703AW	3" W.S. REAR BRACKET
19	1	CV10175	ADAPTER GASKET
20	1	13702	3" POLY PUMP VOLUTE
21	1	13772	3" POLY PUMP IMPELLER
22	2	12777	1/2" DRAIN PLUG
23	2	UV15163	2-114 O'RING
24	4	12034	5/16 - 24 X 3 3/4" HHCS
25	1	12201W	3" WET SEAL RESERVOIR
26	1	16901	1/4" SQ. KEY
27	1	13766	3/8-24 X 2 1/4" HFS
28	1	12910	DECAL (N/S)



BANJO CORPORATION
 150 BANJO DRIVE, CRAWFORDSVILLE, IN 47933
 WEB SITE: WWW.BANJOCORP.COM
 E-MAIL: SALES1@BANJOCORP.COM
 DESCRIPTION: 3" POLY WET SEAL PUMP ONLY
 PART NUMBER: 300POW

THIS DRAWING AND ALL INFORMATION CONTAINED THEREON ARE THE EXCLUSIVE PROPERTY OF BANJO CORPORATION.
 UNLESS SPECIFICALLY NOTED, THIS DRAWING AND ITEMS SHOWN ON THIS DRAWING ARE SUBJECT TO CHANGE AT ANY TIME.