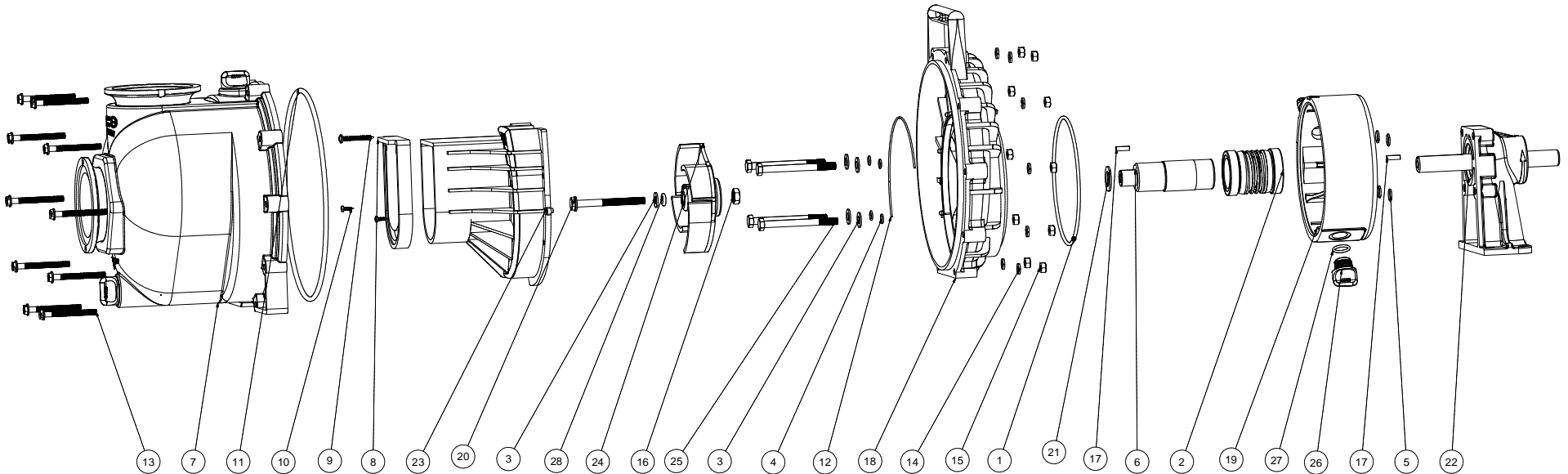


		Parts List	
ITEM	QTY	PART NUMBER	DESCRIPTION
1	1	13719	#256 O'RING
2	1	15035	SEAL ASSY.
3	5	12901	5/16" FLAT WASHER
4	4	12717	#11 O'RING
5	4	12709	#13 O-RING
6	1	12155	ADAPTER SHAFT
7	1	M13712	3" MNFLD POLY PUMP BODY ASSY.
8	1	12705	CHECKVALVE
9	1	12900	#10 X 1 1/2" PPH SMS
10	2	12725	#6 X 1/2" PPH SMS
11	1	12719A	#375 O'RING
12	1	12754	O'RING SEGMENT
13	10	12720	1/4-20 X 2 1/2" SL IND HWHS
14	10	V07018	1/4" LOCKWASHER
15	10	V07019	1/4-20 HEX NUT
16	1	12775A	7/16-14 HEX NUT
17	2	12902A	3/16" SQ. X 5/8" KEY
18	1	12707W	2" W.S. REAR BRACKET
19	1	12202W	2" POLY RESERVOIR
20	1	12766	5/16-24 X 3 1/4" HFS
21	1	CV10175	ADAPTER GASKET
22	1	12882A	BEARING PEDESTAL
23	1	13702	3" POLY PUMP VOLUTE
24	1	13772	3" POLY PUMP IMPELLER
25	4	13034	5/16-24 X 3 1/2" HHCS
26	2	12777	1/2" DRAIN PLUG
27	2	UV15163	2-114 O'RING
28	1	A203V	#203 O'RING
29	1	12910	DECAL (NS)



BANJO CORPORATION
 150 BANJO DRIVE, CRAWFORDSVILLE, IN 47933
 WEB SITE: WWW.BANJOCCORP.COM
 E-MAIL: SALES1@BANJOCCORP.COM

THIS DRAWING AND ALL INFORMATION CONTAINED THEREON ARE THE EXCLUSIVE PROPERTY OF BANJO CORPORATION.

UNLESS SPECIFICALLY NOTED, THIS DRAWING AND ITEMS SHOWN ON THIS DRAWING ARE SUBJECT TO CHANGE AT ANY TIME.

DESCRIPTION:
3" POLY WET SEAL PUMP W/ BEARING PEDESTAL

PART NUMBER
M300PBW