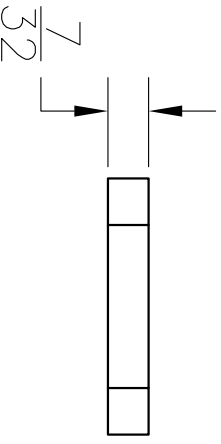
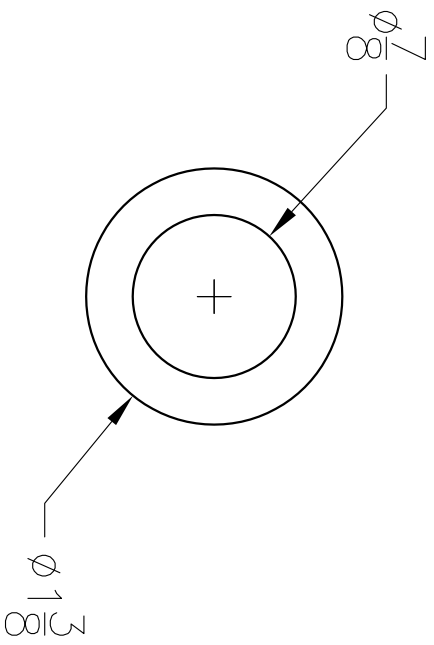


NOTES:
 DO NOT SCALE PRINT
 MAT'L: 075G EPDM 60 DURO
 075GV FKM 60 DURO
 075GB BUNA 50 DURO
 075GXT EPDM 50 DURO
 075GVXT FKM 55 DURO
 075GBXT BUNA 50 DURO
 075GXT, 075GVXT, 075GBXT:
 0.218±0.005 BECOMES
 0.243±0.005

MARKINGS: EPDM – WHITE STRIPE
 VITON – GREEN STRIPE
 BUNA – YELLOW STRIPE

XT SERIES TO HAVE SAME COLOR STRIPE
 AS MATERIALS LISTED ABOVE PLUS A SINGLE
 RED STRIPE



| | |
|--|--|
| | |
| BANDO CORPORATION 150 BANDO DR. • CRAWFORDSVILLE, IN 47933 | |
| PART NO. | 075G |
| TITLE | 1/2" & 3/4" Coupling Gasket |
| <small>THIS DRAWING AND ALL INFORMATION CONTAINED HEREIN ARE THE SOLE PROPERTY OF BANDO CORPORATION. UNLESS SPECIFICALLY NOTED, THIS DRAWING AND ALL INFORMATION CONTAINED HEREIN ARE SUBJECT TO CHANGE AT ANY TIME.</small> | |