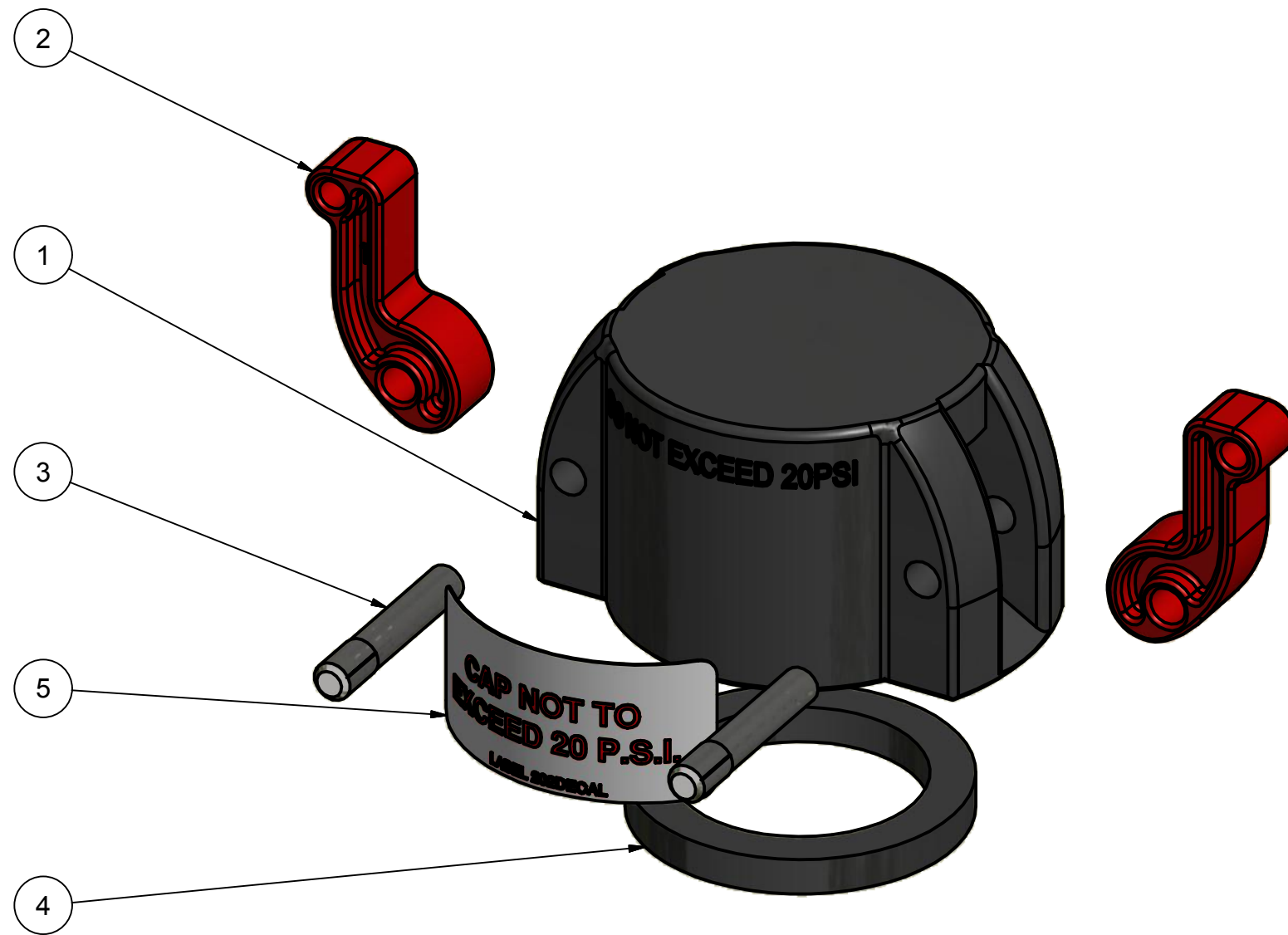
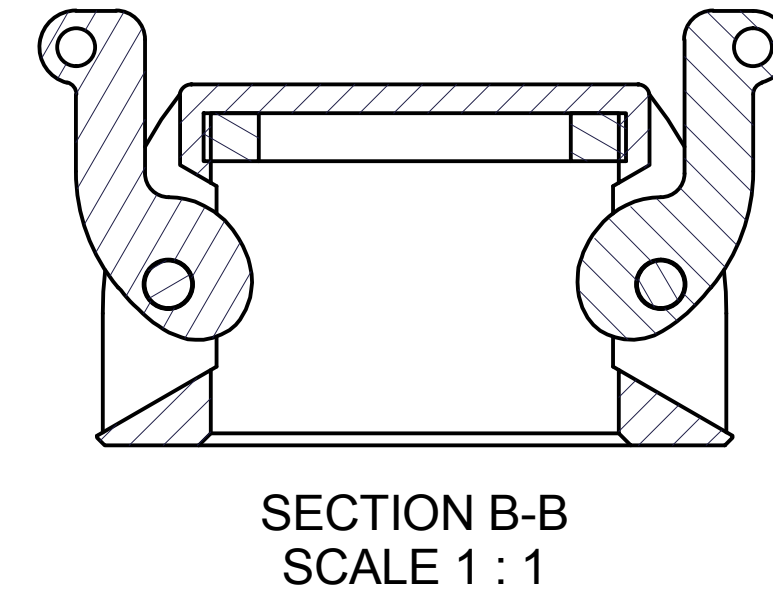
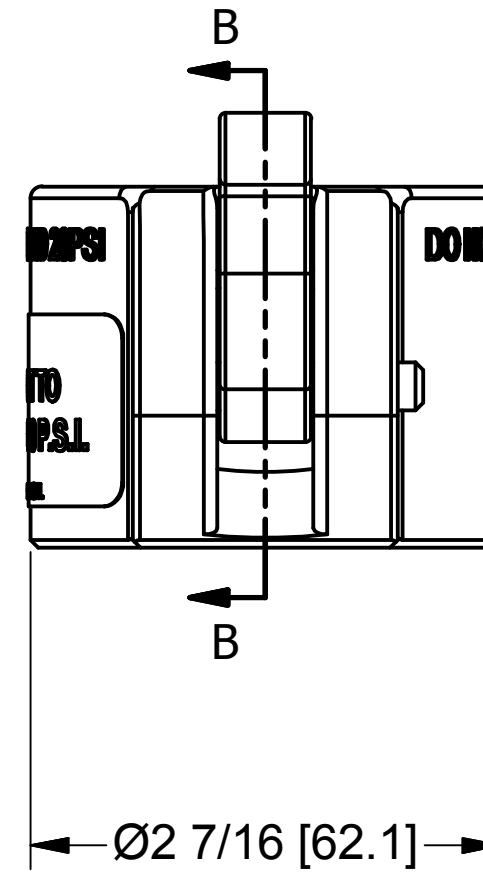
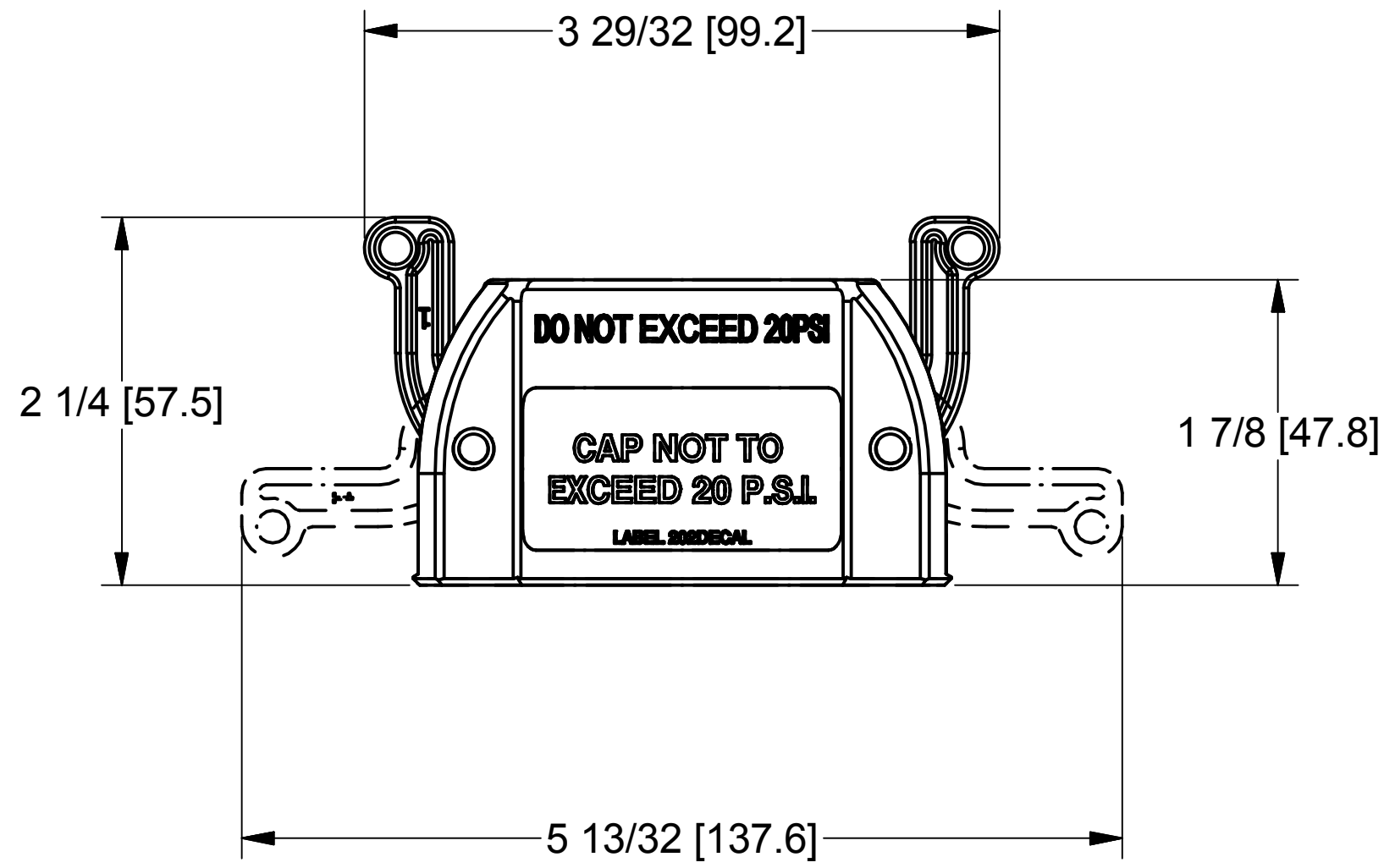


Parts List			
ITEM	QTY	PART NUMBER	DESCRIPTION
1	1	152XCAP	1 1/2" Cap, Molded
2	2	152KR	1 1/2" Poly Cam Arm, Red
3	2	202P	CAM ARM PIN
4	1	150G	1 1/2" Coupling Gasket
5	1	202DECAL	Decal for 152CAPESH



THIS DRAWING AND ALL INFORMATION CONTAINED THEREON ARE THE EXCLUSIVE PROPERTY OF BANJO CORPORATION.

UNLESS SPECIFICALLY NOTED, THIS DRAWING AND ITEMS SHOWN ON THIS DRAWING ARE SUBJECT TO CHANGE AT ANY TIME.

BANJO CORPORATION
 150 BANJO DRIVE, CRAWFORDSVILLE, IN 47933
 WEB SITE: WWW.BANJOCORP.COM
 E-MAIL: BANJOSALES@IDEXCORP.COM

DESCRIPTION
1 1/2" Poly Cap w/ Short Red Poly Arms, EPDM

PART NUMBER
152CAPESH