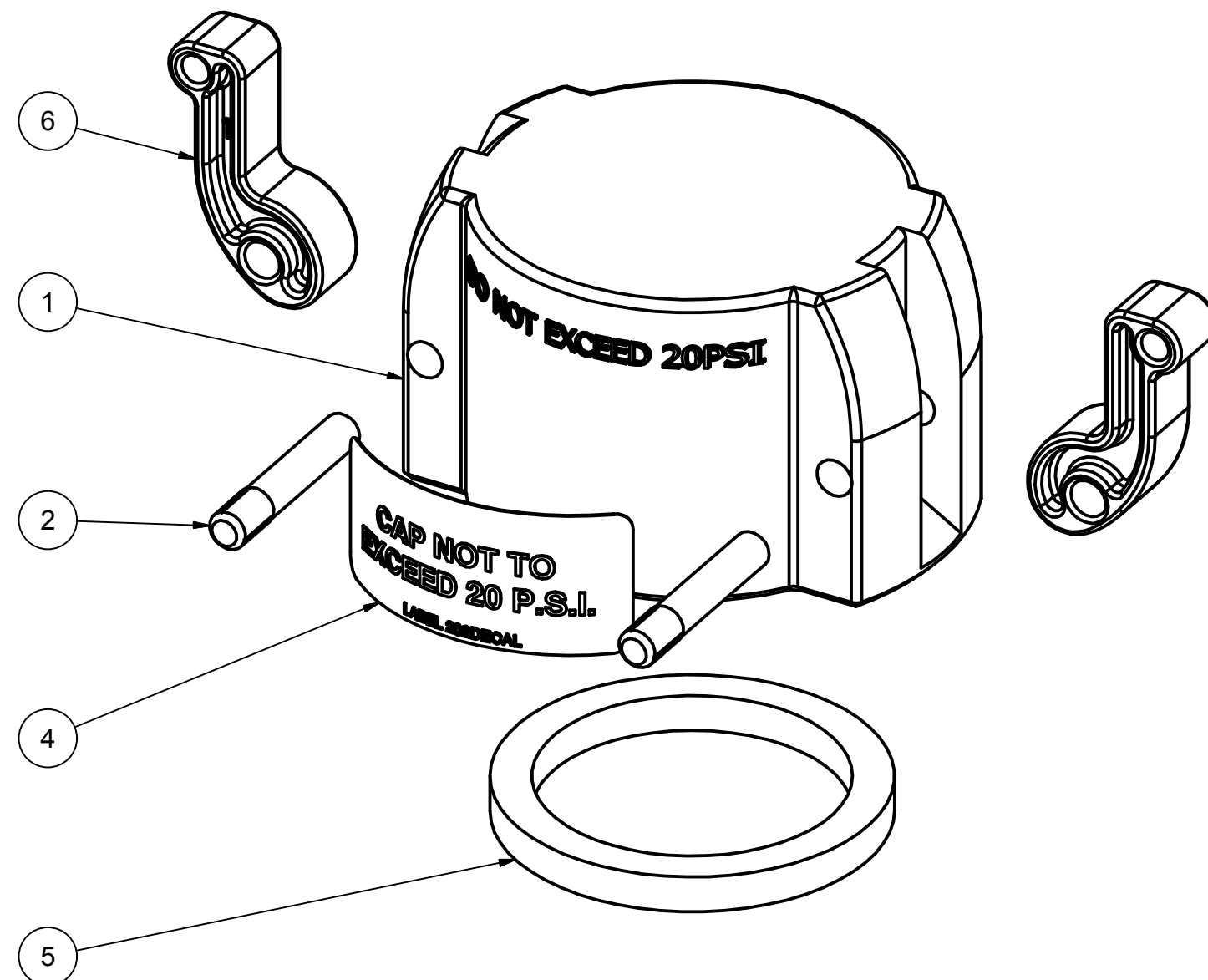
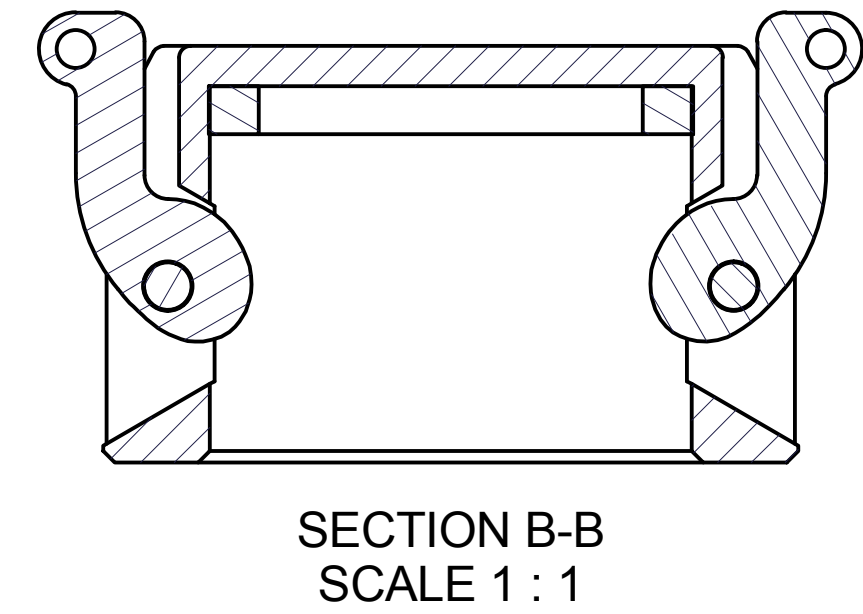
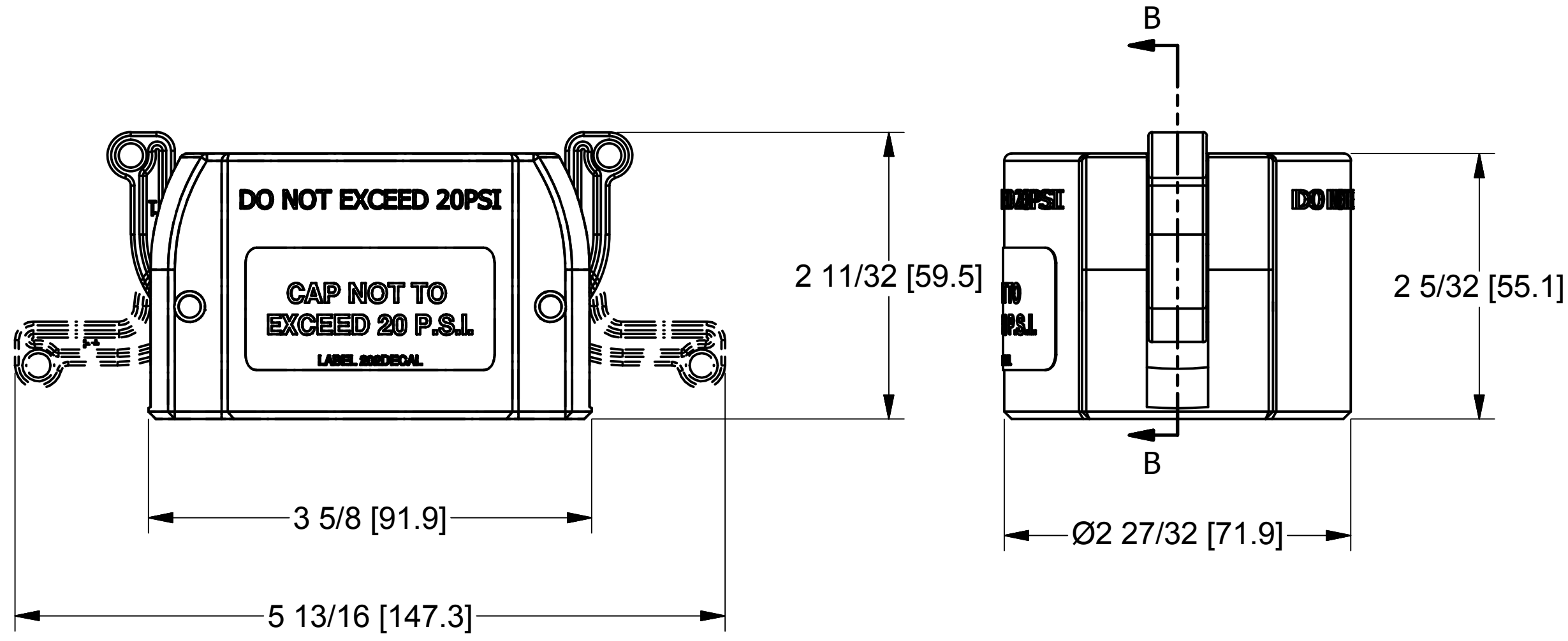


Parts List			
ITEM	QTY	PART NUMBER	DESCRIPTION
1	1	202XCAP	2" MOLDED CAP
2	2	200P	CAM ARM PIN
4	1	202DECAL	Decal for 202CAPE
5	1	202GE	202 Coupling Gasket
6	2	152K	1 1/2" Poly Cam Arm, Yellow



THIS DRAWING AND ALL INFORMATION CONTAINED THEREON ARE THE EXCLUSIVE PROPERTY OF BANJO CORPORATION.

UNLESS SPECIFICALLY NOTED, THIS DRAWING AND ITEMS SHOWN ON THIS DRAWING ARE SUBJECT TO CHANGE AT ANY TIME.

	
<b>BANJO CORPORATION</b> 150 BANJO DRIVE, CRAWFORDSVILLE, IN 47933 WEB SITE: WWW.BANJOCORP.COM E-MAIL: BANJOSALES@IDEXCORP.COM	
DESCRIPTION 2" Molded Poly Cap w/ Short Yellow Poly Arms, EPDM	PART NUMBER 202CAPESH