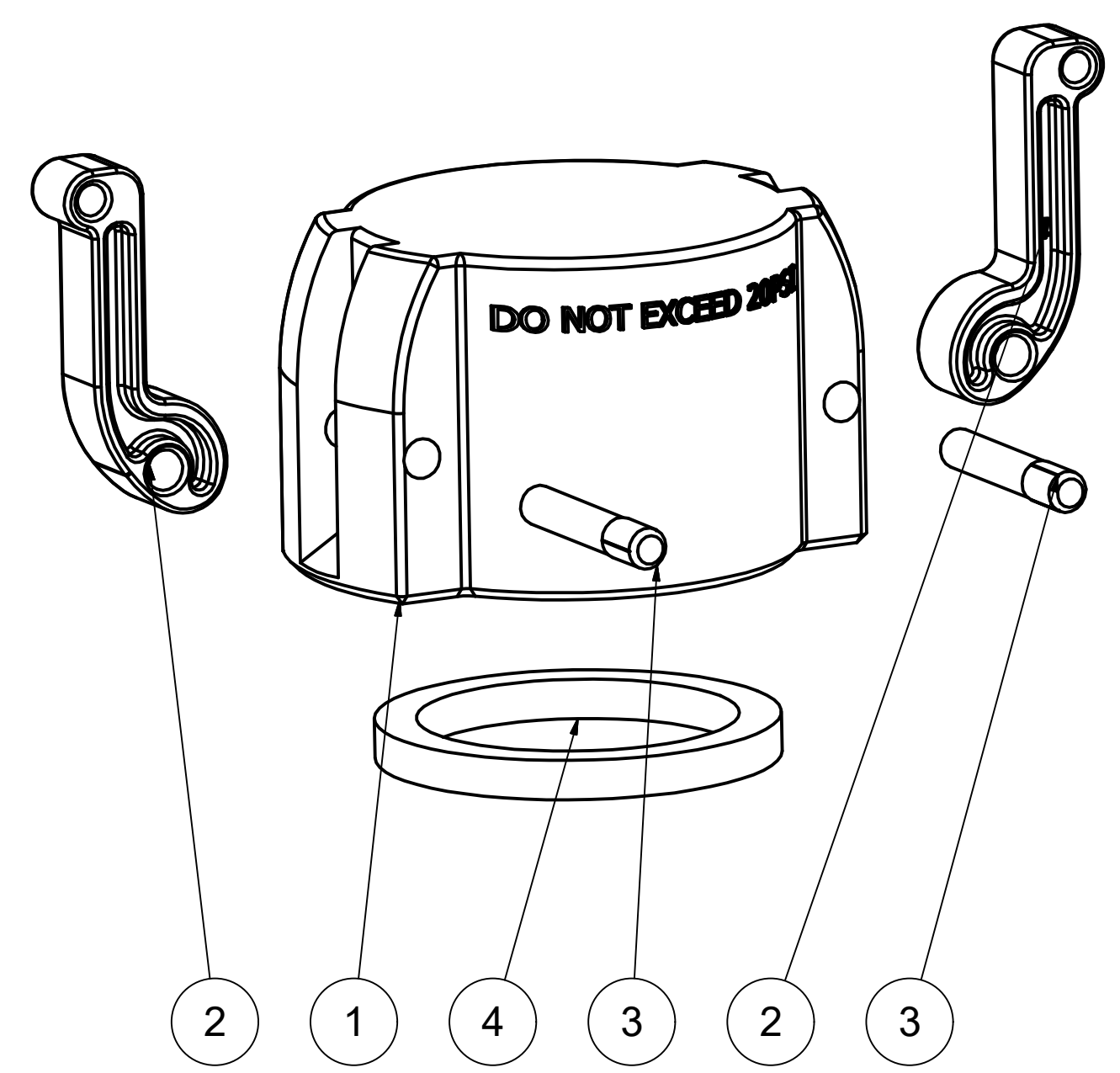
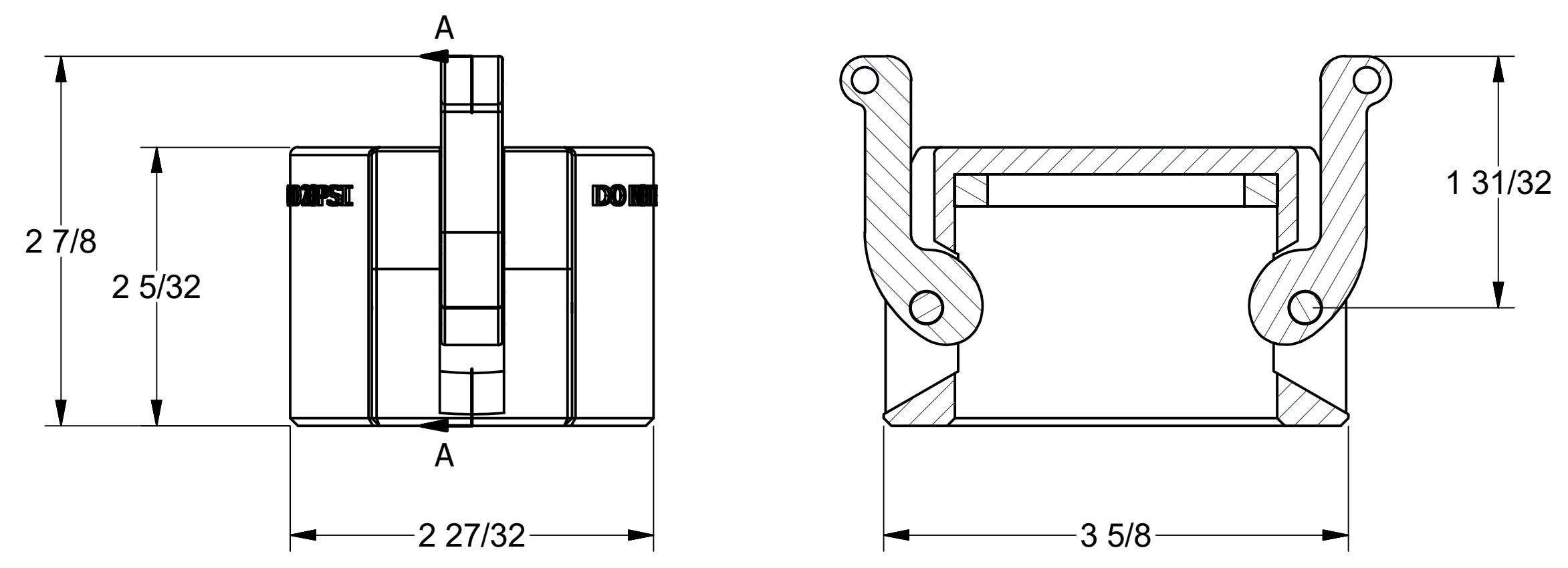


Parts List			
ITEM	QTY	PART NUMBER	DESCRIPTION
1	1	202XCAPFD	2" MOLDED CAP
2	2	202K	2" PLASTIC CAM ARM
3	2	202P	CAM ARM PIN
4	1	202G	202 GASKET
5	1	202DECAL	DECAL (N/S)



THIS DRAWING AND ALL INFORMATION CONTAINED THEREON ARE THE EXCLUSIVE PROPERTY OF BANJO CORPORATION.

UNLESS SPECIFICALLY NOTED, THIS DRAWING AND ITEMS SHOWN ON THIS DRAWING ARE SUBJECT TO CHANGE AT ANY TIME.

BANJO CORPORATION

BANJO CORPORATION
150 BANJO DRIVE, CRAWFORDSVILLE, IN 47933
WEB SITE: WWW.BANJOCORP.COM
E-MAIL: BANJOSALES@IDEXCORP.COM

DESCRIPTION	2" POLY CAP
PART NUMBER	202CAPFD